

## LG COOKING

## LSE4615

6.3 cu.ft ProBake Convection® Electric Single Oven Slide-In Range

Large Capacity (6.3 cu ft.)

Radiant Cooktop with UltraHeat™

ProBake Convection®

Infrared Heating™

EasyClean® + Self Clean

Glass Touch Controls (SmoothTouch™)

WideView™ Window

SmartDiagnosis™

Wi-Fi Connectivity



Enjoy new ways to control your home with LG smart appliances

- Start or stop your Oven remotely
- Set your Monitor Status from your smartphone
- Works with the LG SmartThinQ® app

SmartThinQ®

works with the Google Assistant

WORKS WITH alexa

innit

SIDECHEF



CAPACITY	
Total Oven Capacity (cu.ft.)	6.3 cu.ft.
Storage Drawer Capacity (cu.ft.)	0.8 (no Handle)
COOKTOP	
Type	Radiant
No of Radiant Elements	5
Element Size/Wattage - Left Rear	1200 (6")
Element Size/Wattage - Right Rear	1200 (6")
Element Size/Wattage - Left Front	3200 (9") / 1400 (6") (UltraHeat™)
Element Size/Wattage - Right Front	3000 (12") / 2200 (9") / 1100(6")
Center (Warming Zone)	100 (7")
Cooktop Finish	Black Ceramic + Grey Pattern
Hot Surface LED Indicator	Yes
OVEN FEATURES	
Broil Element (Watt)	Charcoal (1600) + Sheath (2400) (Infrared Heating™)
Convection (Watt)	Sheath 2500W
Convection Fan	Dual Speed (High/Low)
Convection System/Mode/Cooking System	ProBake Convection®
Oven Cooking Modes	Speed Roast, Bake, Broil, Convection Bake, Convection Roast, Multi-Rack Convection Baking, Delay Bake, Delay Clean, Proof, Warm
Oven Control Features	Glass Touch (SmoothTouch™)
Convection Conversion	Yes
EasyClean®	Yes
Self Clean	Yes
GoCook Smart Oven Light	Yes (1 Light)
No. of Rack Positions	7
Door Lock	Yes
Automatic Safety Shut-Down	After 12 hours
DRAWER FEATURES	
Type	Warming (500 W)
Levels	3 (Hi / Mid / Low)
Time Control	Yes
CONTROL	
Cooktop Control Type	Front Tilt-Control Knobs
Oven Control Type	Glass Touch
Display	VFD
Language	English
Clock	12 hr or 24 hr (option)
Kitchen Timer	Yes
Timed Cook	Yes
Temperature Unit of Measure	Fahrenheit / Celsius
Cooking Complete Reminder Volume	Beeper

APPEARANCE	
All Available Colors	Stainless Steel / Matte Black Stainless Steel
Knobs	Stainless Steel / Matte Black Stainless Steel
Handle	Stainless Steel / Matte Black Stainless Steel
PrintProof™ Finish	Yes (Matte Black Stainless Steel Only)
Oven Door Feature	WideView™ Window
SmartThinQ® SMART FEATURES	
SmartDiagnosis™	Yes
Wi-Fi Connectivity	Yes
Works with	Google Assistant and Amazon Alexa
SmartThinQ® with Innit and SideChef	Yes
DIMENSIONS/CLEARANCES/WEIGHT	
Shipping Weight (lbs)	224
Product Weight (lbs)	194
Cabinet Width (in)	30"
Overall Depth (in) - including handle	28 15/16"
Overall Height (in)	37 7/8"
Overall Width (in)	29 7/8"
Oven Interior Dimensions (in) (W x H x D)	24 7/8" x 21 3/8" x 20"
Height to Cooking Surface (in)	36"
Drawer Dimensions (in) (W x H x D)	22 31/16" x 4 1/2" x 16 3/8"
Carton Dimensions (in) (W x H x D)	32 31/32" x 44" x 30 17/32"
POWER/RATINGS	
Amp Rating at 208V	51.4A
Amp Rating at 240V	59.2A
KW Rating at 208V	10.7kW
KW Rating at 240V	14.2kW
ACCESSORIES	
Gliding Rack	1
Standard Rack	2
Meat Probe	Yes
Spray Bottle	Yes
Scouring Pad	Yes
Cooktop Cream/ Cleaner	Yes
WARRANTY	
Parts & Labor	1 Year
UPC CODES	
LSE4615BM (Matte Black Stainless Steel)	048231340212
LSE4615ST (Stainless Steel)	048231340694

# LSE4615\_

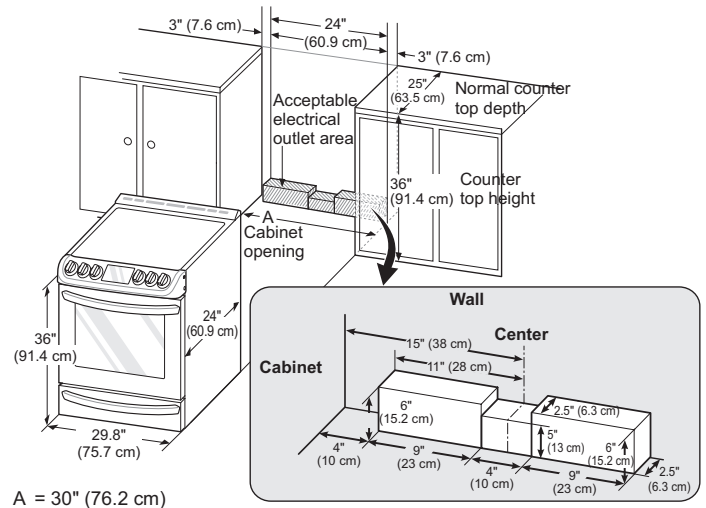
6.3 cu.ft ProBake Convection® Electric Single Oven Slide-In Range

## QUICK INSTALL & CLEARANCES

For full installation directions/clearances please refer to the corresponding User Manual and Installation Guide.

DIMENSIONS/CLEARANCES/WEIGHT	
Cabinet Width (in)	30"
Overall Depth (in) - including handle	28 15/16"
Overall Height (in)	37 7/8"
Overall Width (in)	29 7/8"
Oven Interior Dimensions (in) (W x H x D)	24 7/8" x 21 3/8" x 20"
Height to Cooking Surface (in)	36"
Drawer Dimensions (in) (W x H x D)	22 3/16" x 4 1/2" x 16 3/8"
Carton Dimensions (in) (W x H x D)	32 31/32" x 44" x 30 17/32"
POWER/RATINGS	
Amp Rating at 208V	51.4A
Amp Rating at 240V	59.2A
KW Rating at 208V	10.7kW
KW Rating at 240V	14.2kW

### DIMENSIONS AND CLEARANCES



A = 30" (76.2 cm)

### ELECTRICAL REQUIREMENTS

- **This appliance must be installed and grounded on a branch circuit by a qualified technician in accordance with the National Electrical code ANSI/NFPA NO. 70 - latest edition.**
- All wiring should conform to Local and NEC codes. This range requires a single-phase, 3 wire, A.C 120/208 V or 120/240 V 60 Hz electrical system. Use only a 3-conductor or a 4-conductor UL - listed range cord with closed-loop terminals, open-end spade lugs with upturned ends or similar termination. Do not install the power cord without a strain relief.
- A range cord rated at 40 amps with 120/240 minimum volt range is required. If a 50 amp range cord is used, it should be marked for use with 1 3/8" diameter connection openings. This appliance may be connected by means of a conduit or power cord. If a conduit is being used, check the Owners Manual for 3 wire conduit connections or 4 wire conduit connections.

#### Specified power-supply-cord kit rating

Range rating, watts		Specified rating of power supply-cord kit, amperes	Diameter (inches) of Range connection Opening	
120/240 volts 3-wire	120/208 volts 3-wire		Power cord	Conduit
8,750 - 16,500	7,801 - 12,500	40 or 50A	1 3/8"	1 1/8"
16,501 - 22,500	12,501 - 18,500		1 3/4"	1 3/8"



**4 Wire receptacle (14-50R)**

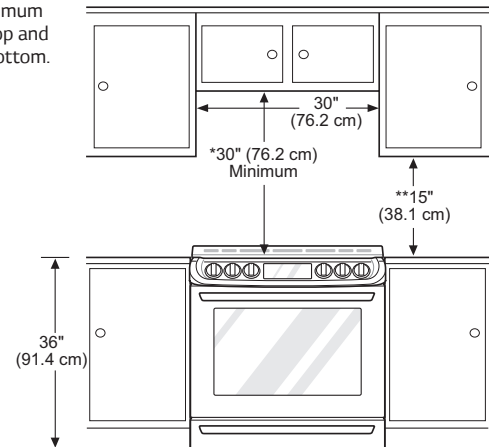


**3 Wire receptacle (10-50R)**

### MINIMUM DIMENSIONS

- \* 30" (76.2 cm) minimum clearance between the top of the cooking surface and the bottom of an unprotected wood or metal cabinet; or 24" (60.9 cm) minimum when bottom of wood or metal cabinet is protected by not less than 1/4" (6.4 cm) flame retardant millboard covered with not less than no. 28 MSG sheet steel, 0.015" (0.381 mm) stainless steel, 0.024" (0.610 mm) aluminum or 0.020" (0.508mm) copper.

- \*\* 15" (38.1 cm) minimum between countertop and adjacent cabinet bottom.



### ⚠ WARNING

- Allow 2 to 3 ft (61.0 cm to 91.4 cm) of slack in the line so that the range can be moved if servicing is ever necessary.
- The power supply cord and plug should not be modified. If it will not fit the outlet, have a proper outlet installed by a qualified electrician.
- Using an extension cord to connect the power is prohibited. Connect the power cord and plug directly.
- Electrical ground is required on this appliance.
- Make sure that the power cord is not pinched by the range or heavy objects. Failure to do so can result in serious burns or electrical shock.

